

DSP-880FB

DSP-880 Series

2 x 20 Characters VFD

RS232 + USB Interface

An Ideal VFD Display bonds with Greatness on Functions and Even More Innovations



1. First Impressions Matter

DSP-880 is designed for those who appreciate discrete professional combined with powerful functions and exceptional 2-in-1 interface(RS232 + USB). All available to make your applications simple and easy under the various working environment .

2. More memory and easy upgradeable

DSP-880 built-in 128K memory which can store most of Codepages information for the languages and furthermore, DSP-880 firmware can be upgradeable even after your purchase.

3. Printer mode and Command mode

DSP-880 can be positioned as both the “ Printer mode” and “ command mode(CDC mode) which support your installation easily. The User can have his selection of “ printer mode” and “ CDC mode” at the same DSP-880 model.

The DSP-880 can be upgradeable through USB interface by CDC mode directly, besides the RS232. It is one of the breakthrough device for your applications.

4. 2-in-1 interface(RS232 + USB)

DSP-880 has the 2-in-1 interface(RS232 + USB) to support your applications by 5V power consumptions. It is very friendly for your applications on the interface of various system .

Ordering Information:

DSP-880FB: VFD display,
20 character x 2 line,
RS232 + USB interface, Black



Technical Specifications

●General:

Display method:

Vacuum fluorescent display (VFD)

Display color: Blue Green

Number of characters:

40 characters; 20 columns x 2 lines

Brightness: 700 cd /m²

Character font: 5 x 7 Dot matrix

Character type:

I. 96 alphanumeric;

II. 14 sets of international characters:

USA, France, Germany, UK,

Sweden, Denmark I and II, Italy,

Spain, Norway, Japan (Katakana),

Slavonic, Russian and Portuguese

III. One set of user downloadable characters

Character size: 9.0mm x 5.25mm

Display modes: Dual modes

(command + printer modes)

●Interface

Dual Interface (USB+RS232C)

Option of USB or RS232C

●Reliability:

MTBF: 30,000 hours

●Power:

Power supply: DC 5V(via USB or DB9)

Power consumption: <3W

●Dimension:

Head (W x D x H): 225.5 x 50 x 87 mm

Support (H x Ø): (120 x 35 mm) X 2

Base (W x D x H): 187 x 92 x 27 mm

Weight: N.W. 0.8kg

●Environment

EMC & Safety : CE/FCC Class A

Operation Temperature : 5~45°C

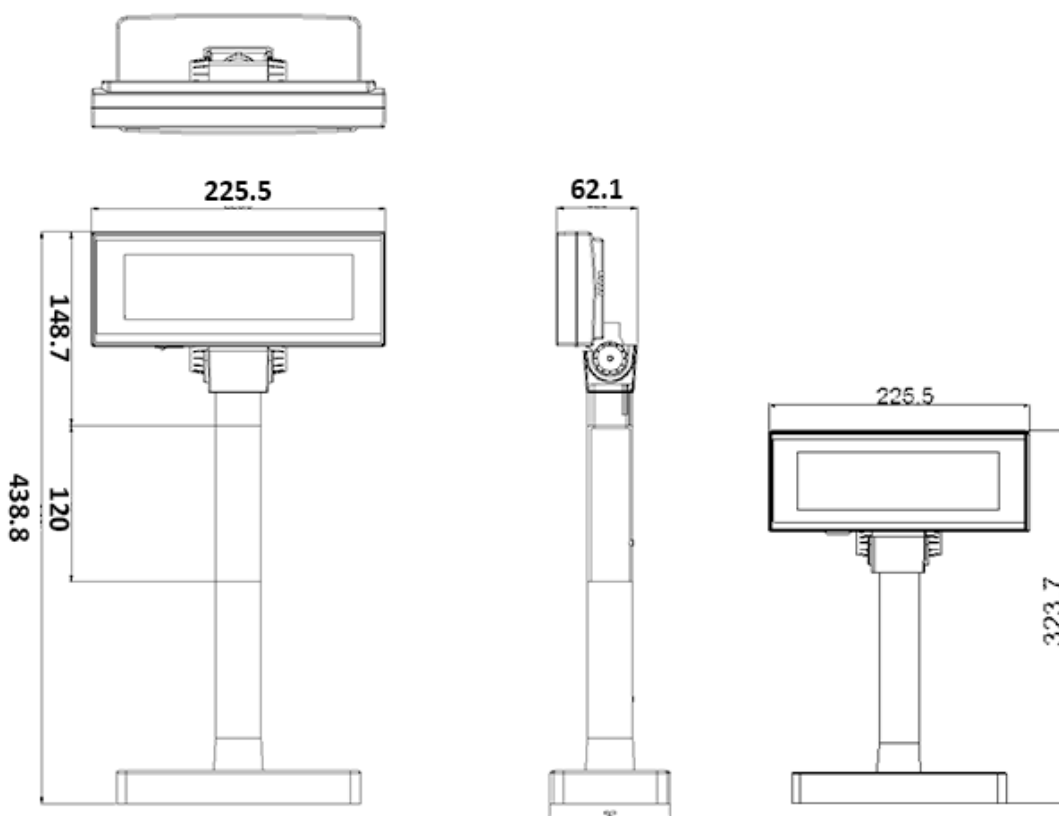
Storage Temperature : -20~70°C

Operation Humidity : 15%~80% RH

Storage Humidity : 10%~90% RH

●Mechanical

Housing Color : Black



Contact us for details



Birch is a trademark of Birch Technology U.S.A. Inc
All other products, brands or companies are trademarks or registered trademarks of their respective companies.